

ASSEMBLY INSTRUCTIONS

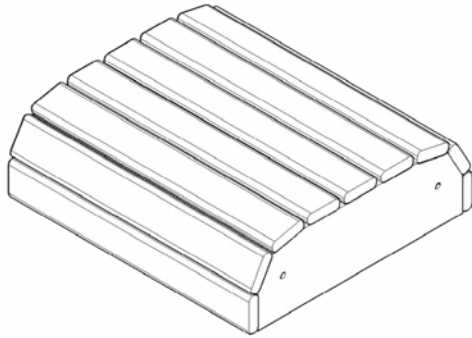
END TABLE

(ITEM # 120)

DIMENSION

L.20" x W.19" x H.14"

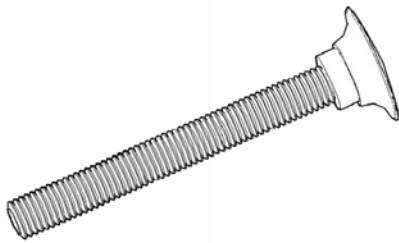
COMPONENT AND HARDWARE LIST



A. TOP SECTION : 1 pcs



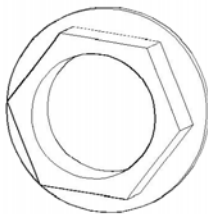
B. LEG: 4 pcs



01. BOLT 5/16 x 2.25 inch : 4 pcs



02. SKREW CAP 5/16 inch : 4 pcs



03. FLANGE NUT 5/16 inch : 4 pcs

PART OF PRODUCT

