

ASSEMBLY INSTRUCTIONS

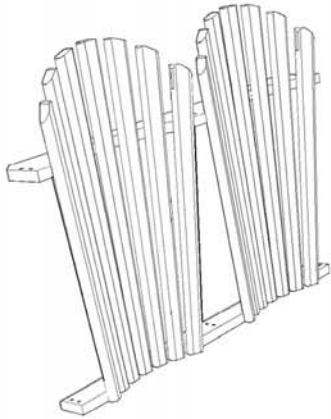
DOUBLE BACK SWING

(ITEM # 118-DBS)

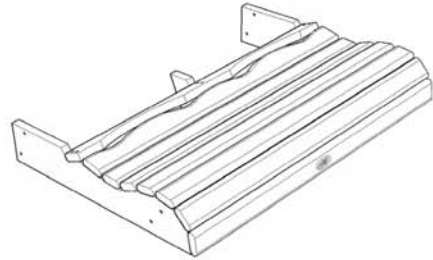
DIMENSION OF PACKAGING

280 x 1070 x 830mm

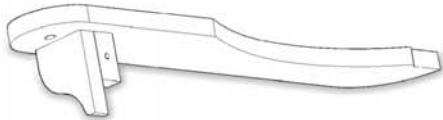
COMPONENT LIST



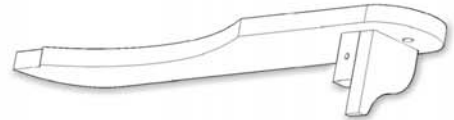
A. BACK SECTION : 1 pcs



B. SEAT SECTION : 1 pcs



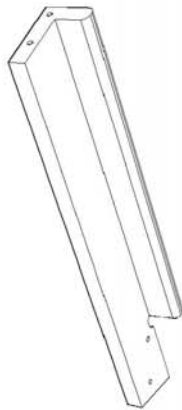
C. ARM REST LEFT : 1 pcs



D. ARM REST RIGHT : 1 pcs



E. BACK LEG : 2 pcs

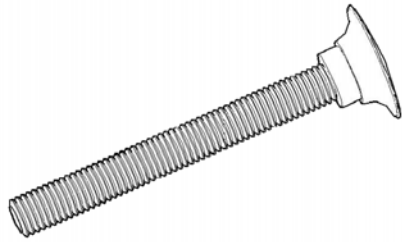


F. BACK SUPPORT : 1 pcs



G. FRONT LEG : 2 pcs

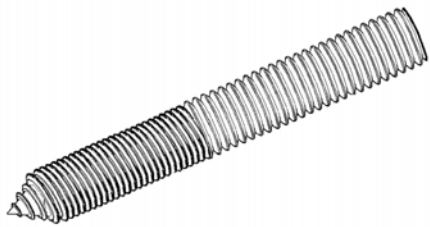
HARDWARE LIST



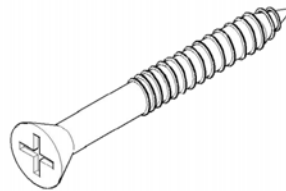
01. BOLT 5/16 x 2.25 inch : 10 pcs



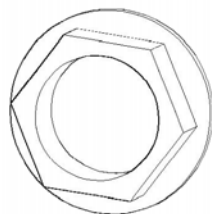
02. SKREW CAP 5/16 inch : 12 pcs



03. BOLT 5/16 x 1.25 inch : 2 pcs

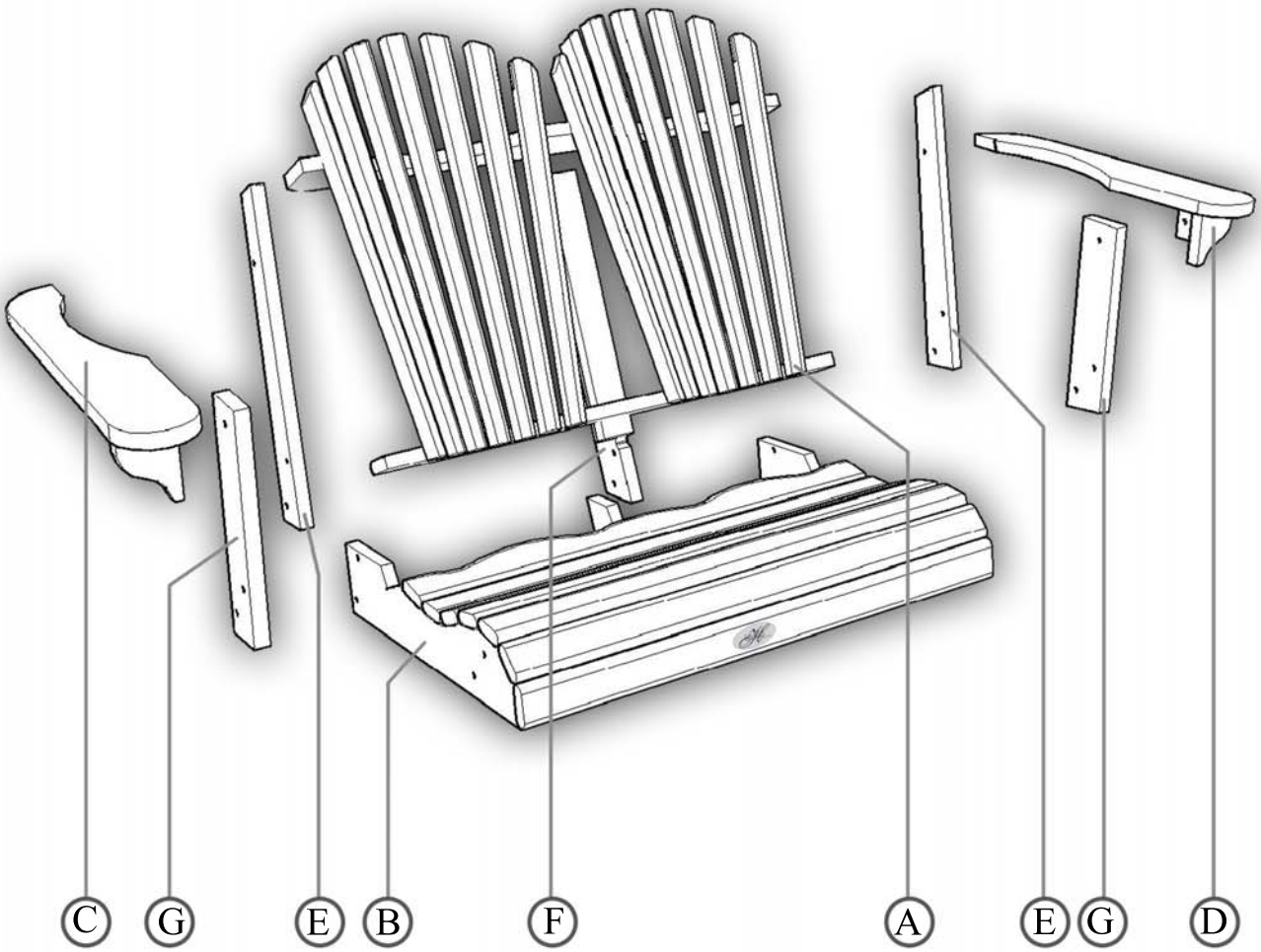


04. SKREW 8M x 1.5 inch : 12 pcs

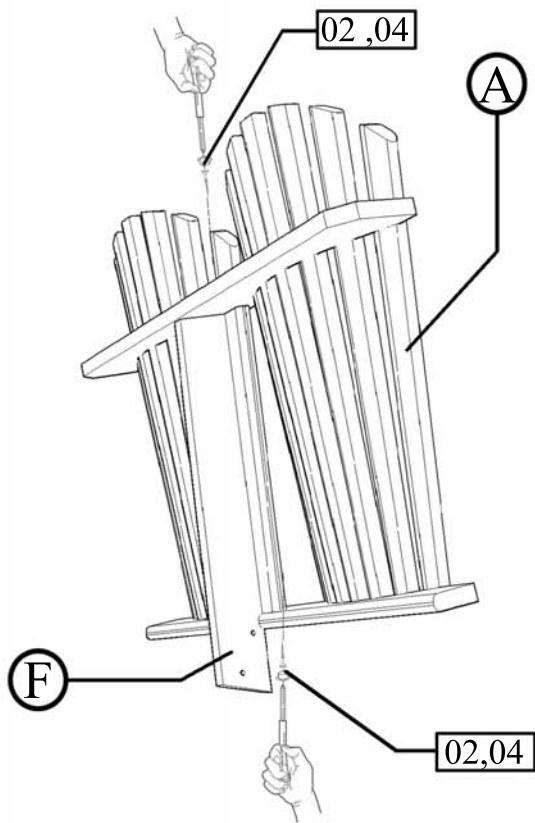


05. FLANGE NUT 5/16 inch : 12 pcs

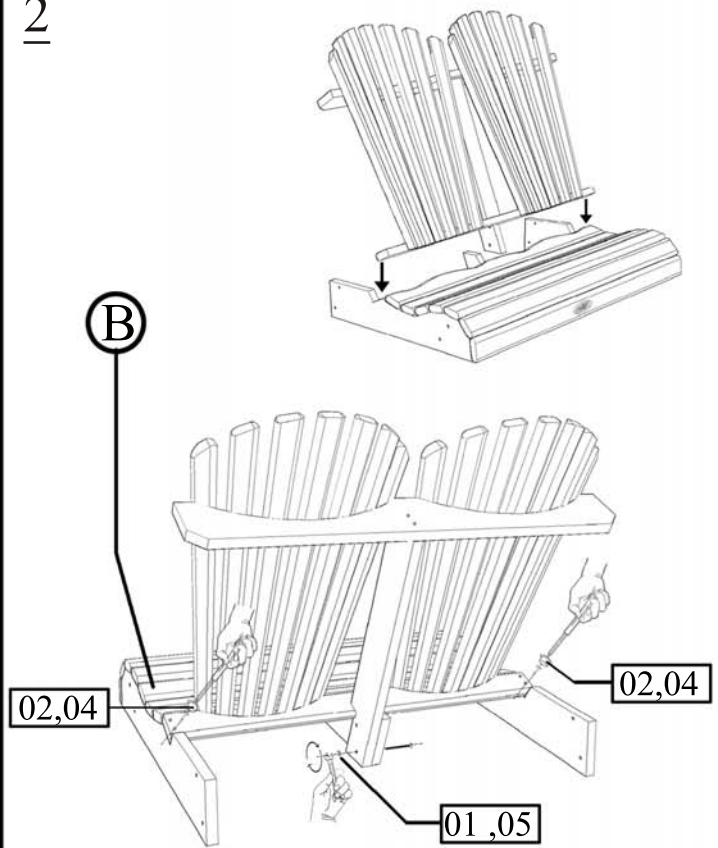
PART OF PRODUCT



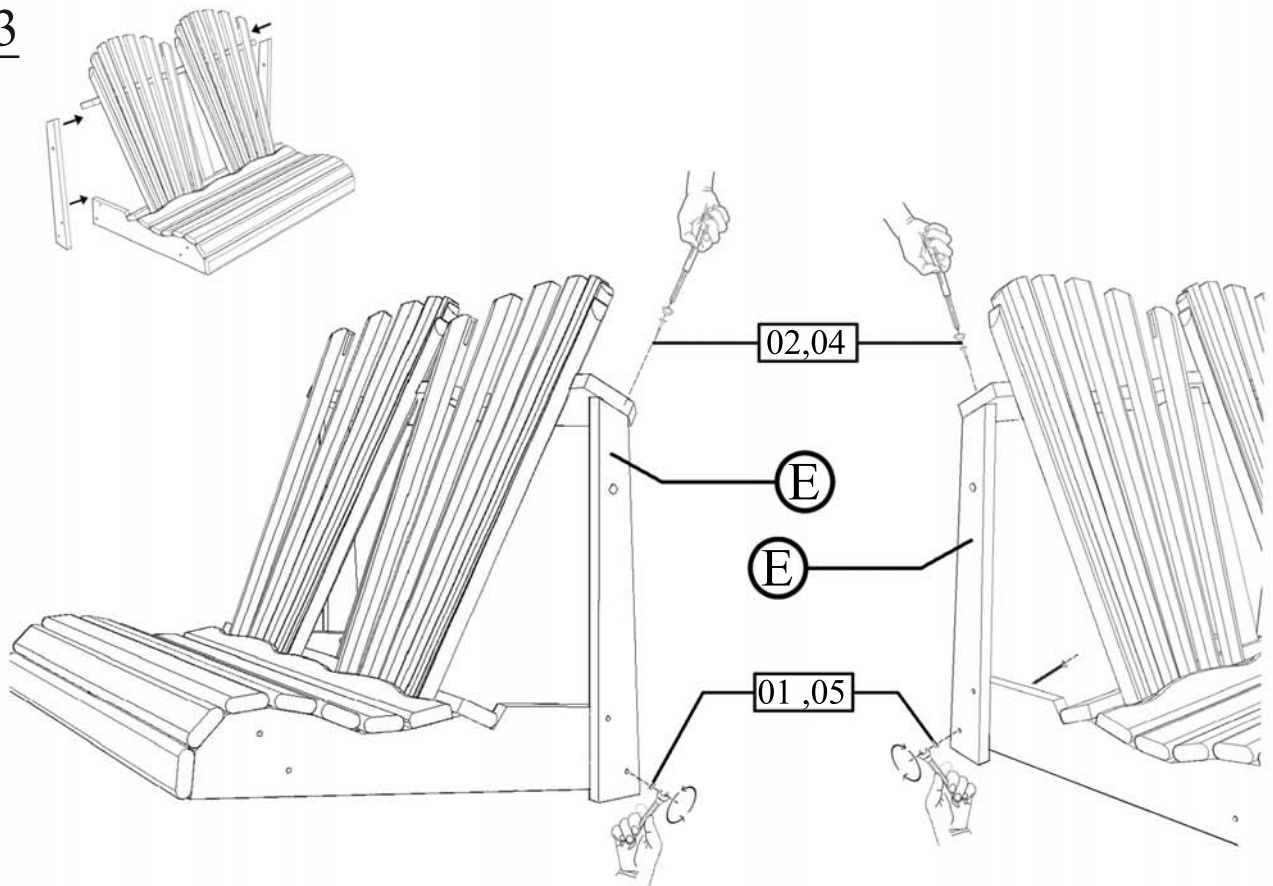
1



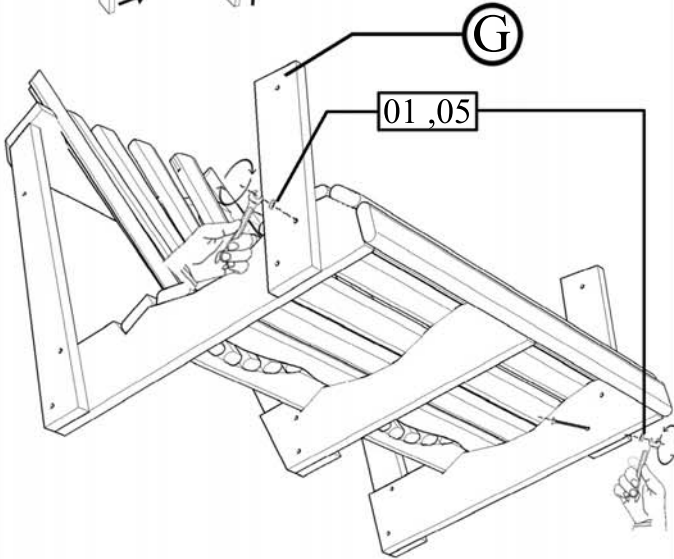
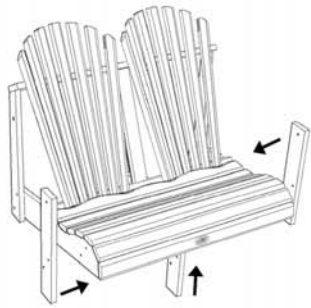
2



3



4



5

