

## ASSEMBLY INSTRUCTIONS

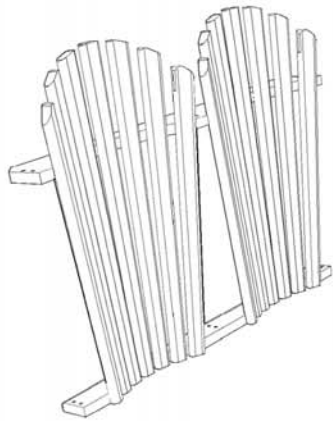
DOUBLE BACK LOVE SEATS

(ITEM # 115-DBLS)

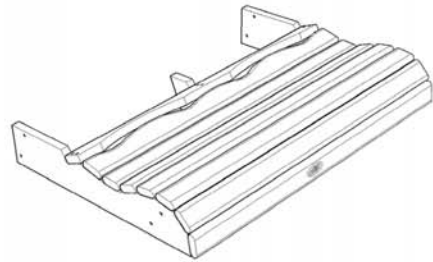
DIMENSION OF PACKAGING

280 x 1070 x 830mm

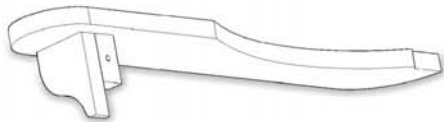
# COMPONENT LIST



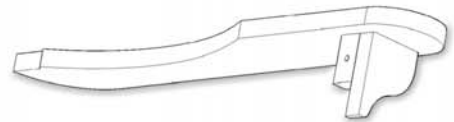
**A. BACK SECTION : 1 pcs**



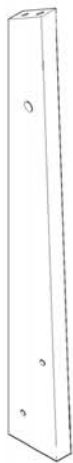
**B. SEAT SECTION : 1 pcs**



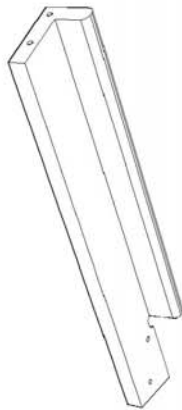
**C. ARM REST LEFT : 1 pcs**



**D. ARM REST RIGHT : 1 pcs**



**E. BACK LEG : 2 pcs**



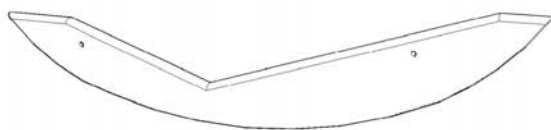
**F. BACK SUPPORT : 1 pcs**



**G. CENTRE LEG : 1 pcs**

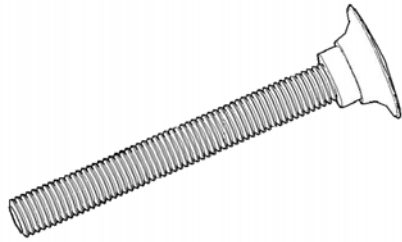


**H. FRONT LEG : 2 pcs**



**I. ROCKER : 2 pcs**

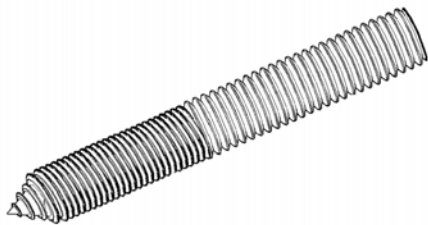
# HARDWARE LIST



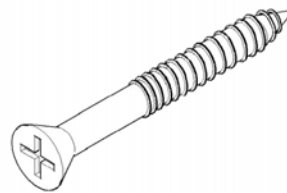
**01. BOLT 5/16 x 2.25 inch : 10 pcs**



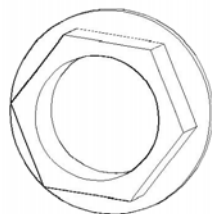
**02. SKREW CAP 5/16 inch : 12 pcs**



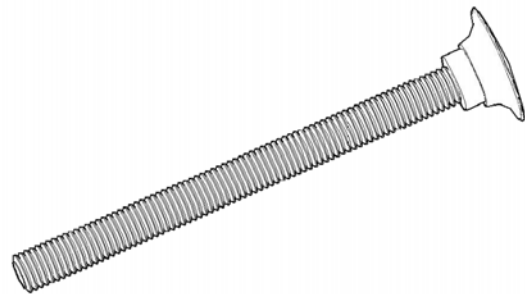
**03. BOLT 5/16 x 1.25 inch : 2 pcs**



**04. SKREW 8M x 1.5 inch : 12 pcs**

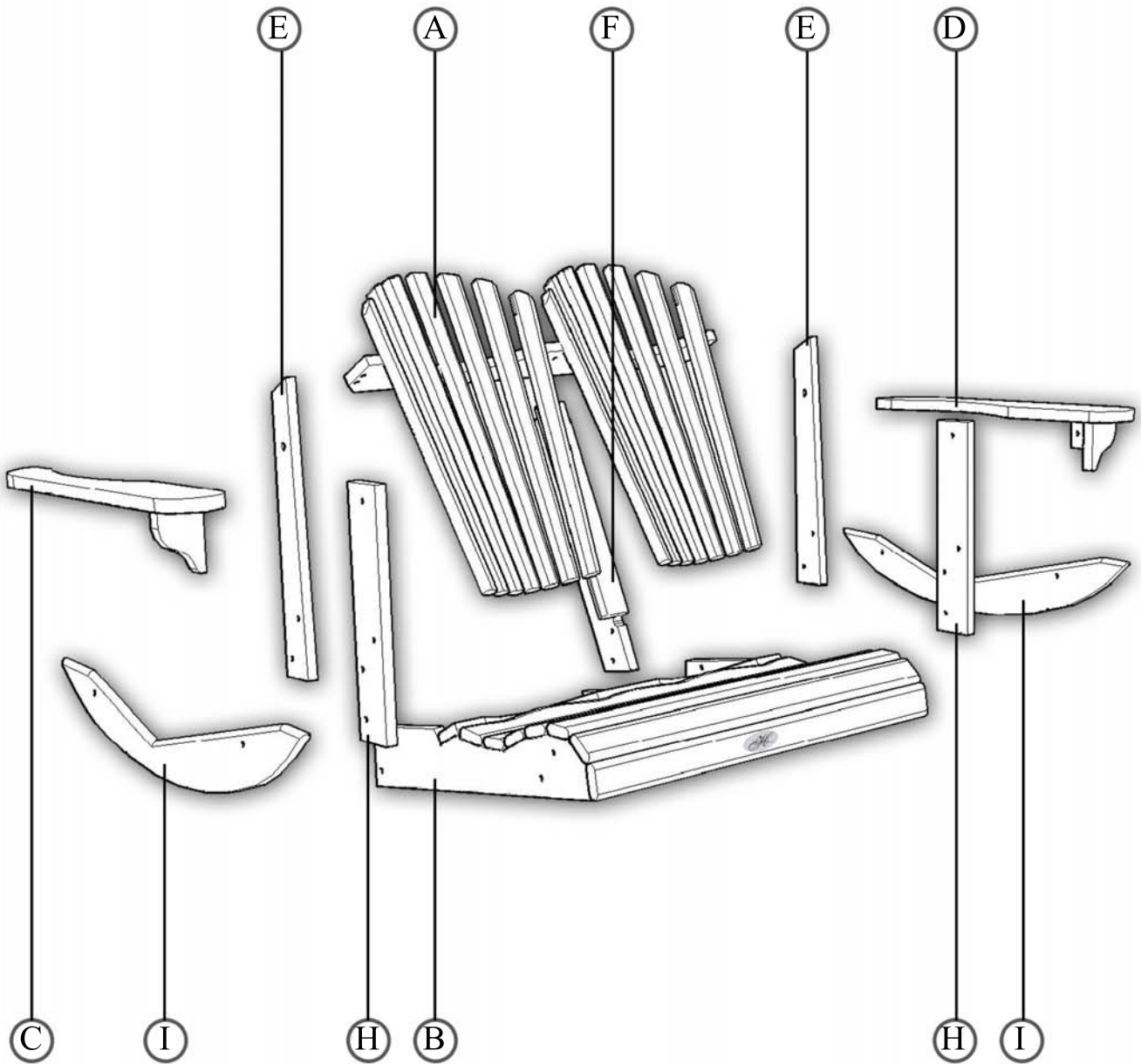


**05. FLANGE NUT 5/16 inch : 14 pcs**

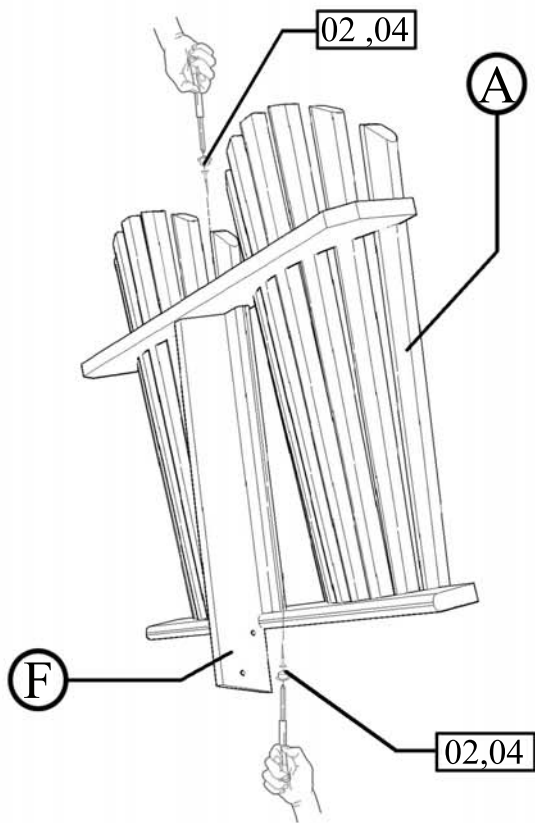


**06. BOLT 5/16 x 3.5 inch : 2 pcs**

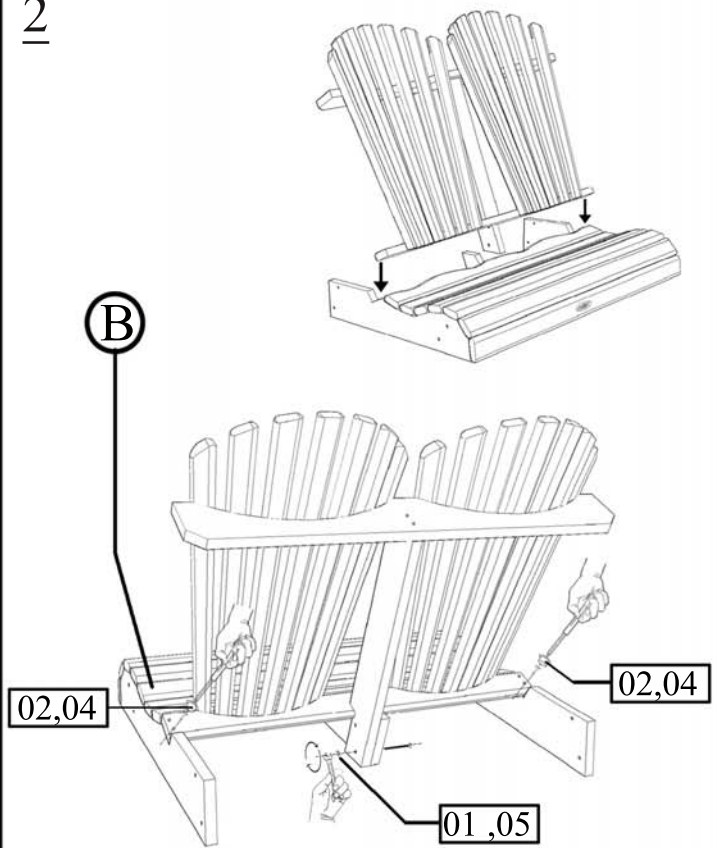
PART OF PRODUCT



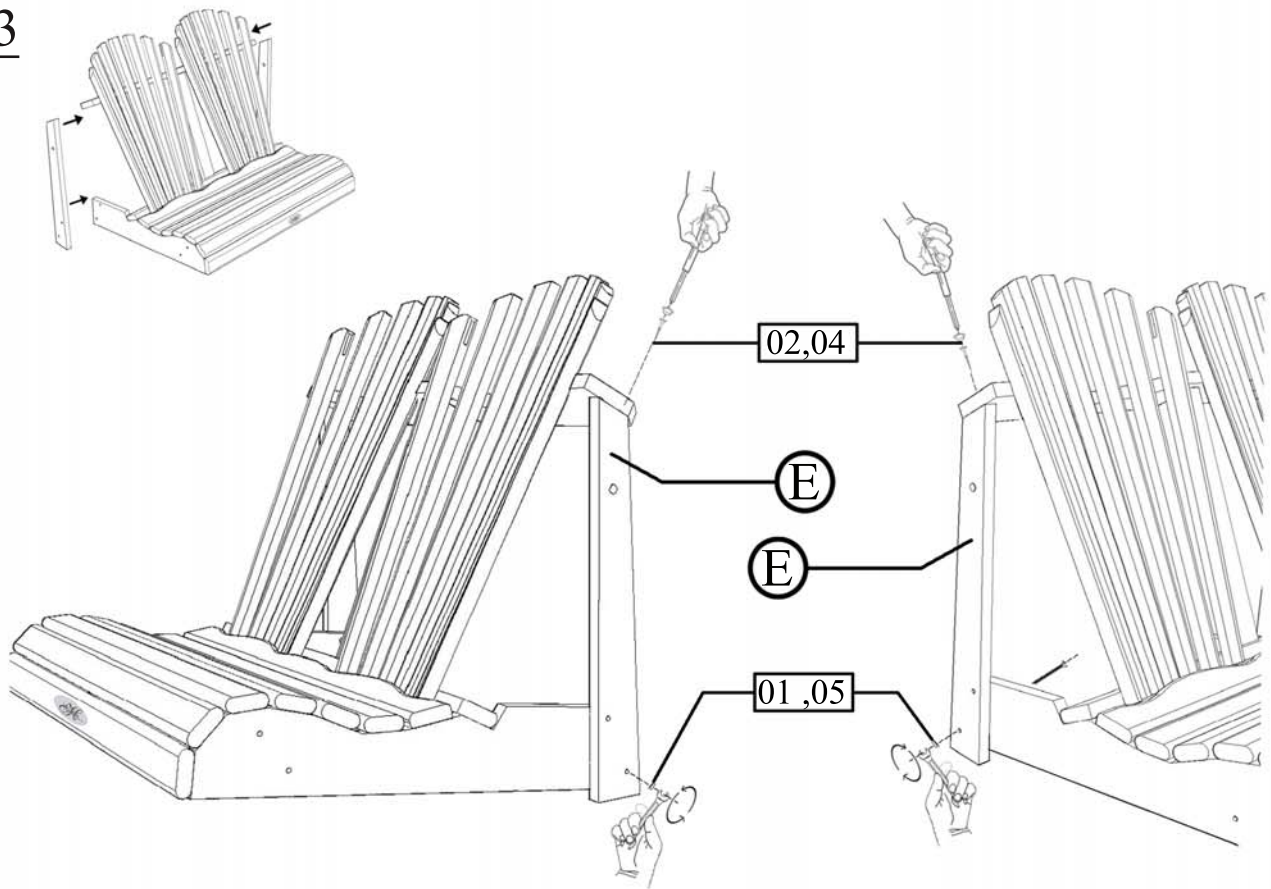
1



2

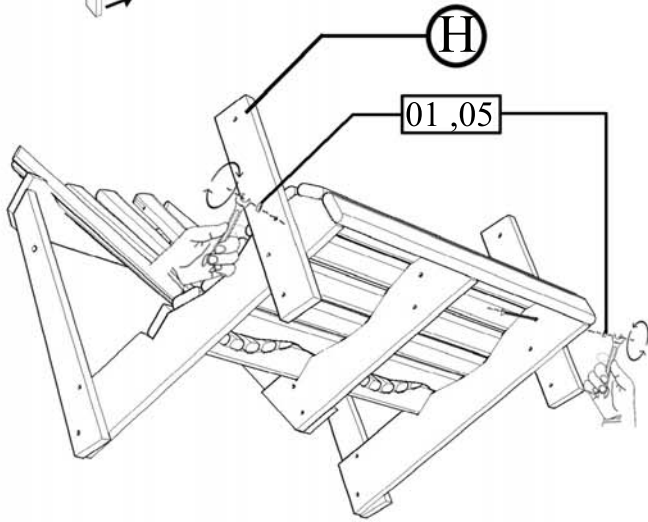


3

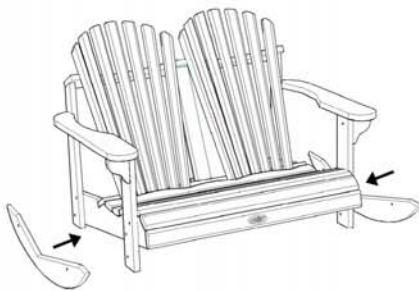
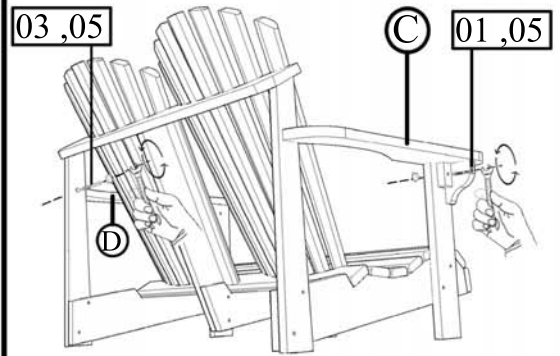
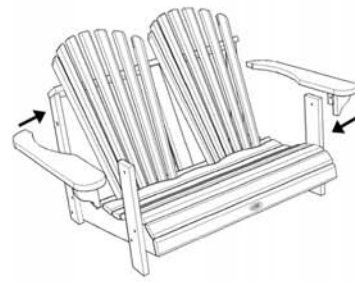




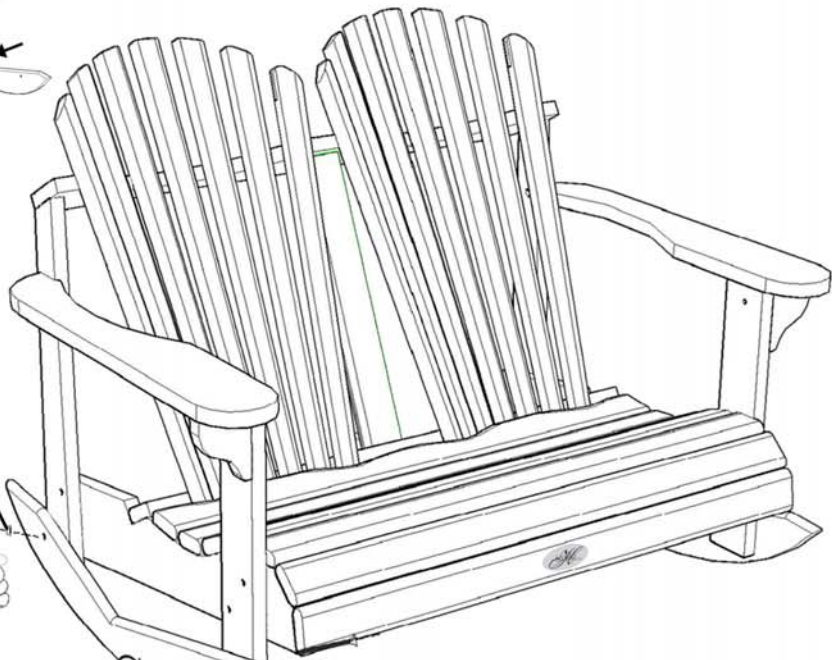
4



5



05,06



01,05