



# ASSEMBLY INSTRUCTIONS

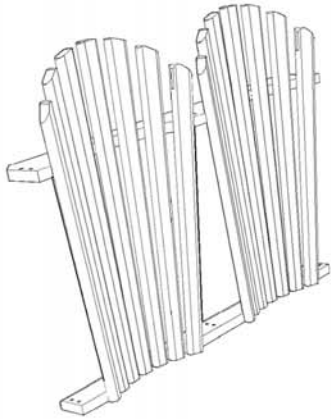
DOUBLE BACK LOVE SEATS

(ITEM # 113-DBLS)

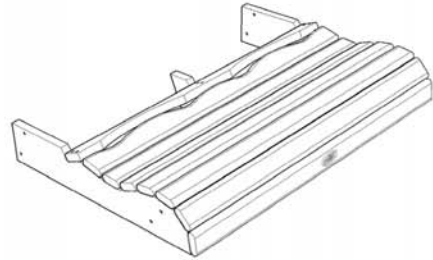
DIMENSION OF PACKAGING

280 x 1070 x 830mm

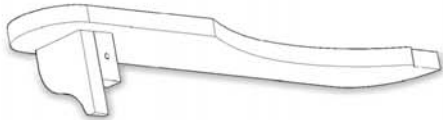
# COMPONENT LIST



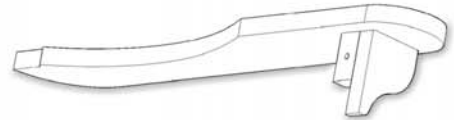
**A. BACK SECTION : 1 pcs**



**B. SEAT SECTION : 1 pcs**



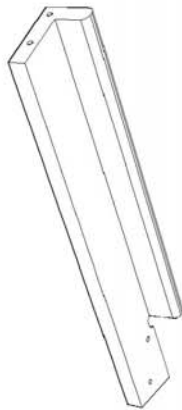
**C. ARM REST LEFT : 1 pcs**



**D. ARM REST RIGHT : 1 pcs**



**E. BACK LEG : 2 pcs**



**F. BACK SUPPORT : 1 pcs**

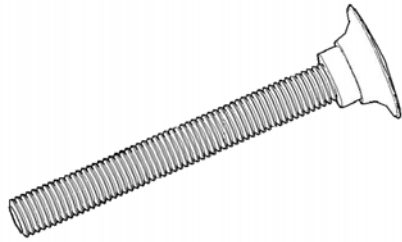


**G. CENTRE LEG : 1 pcs**



**H. FRONT LEG : 2 pcs**

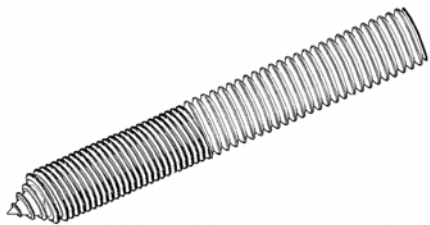
# HARDWARE LIST



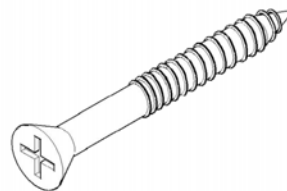
01. BOLT 5/16 x 2.25 inch : 12 pcs



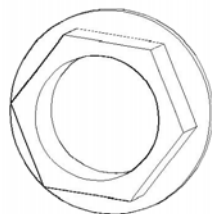
02. SKREW CAP 5/16 inch : 12 pcs



03. BOLT 5/16 x 1.25 inch : 2 pcs

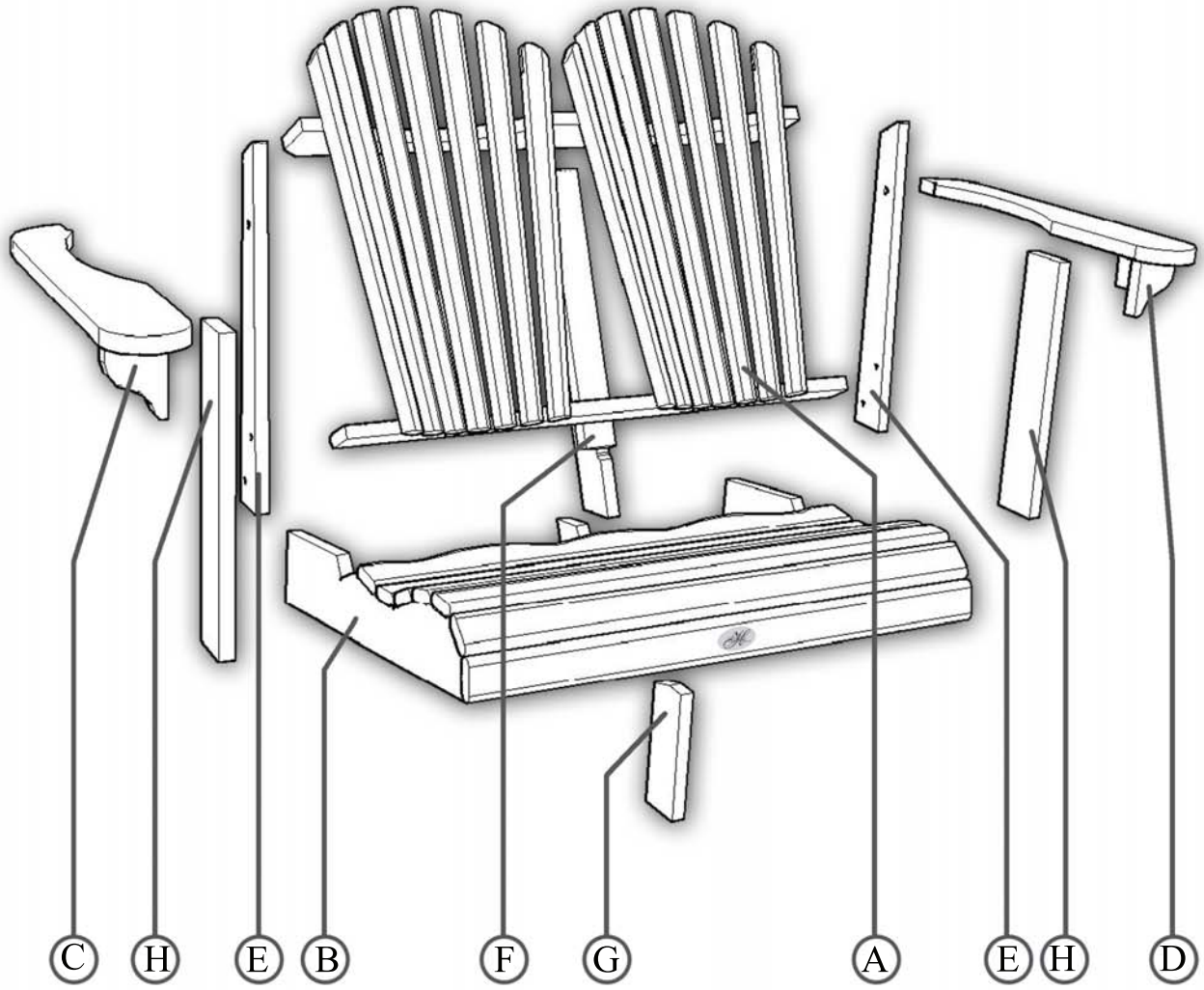


04. SKREW 8M x 1.5 inch : 12 pcs

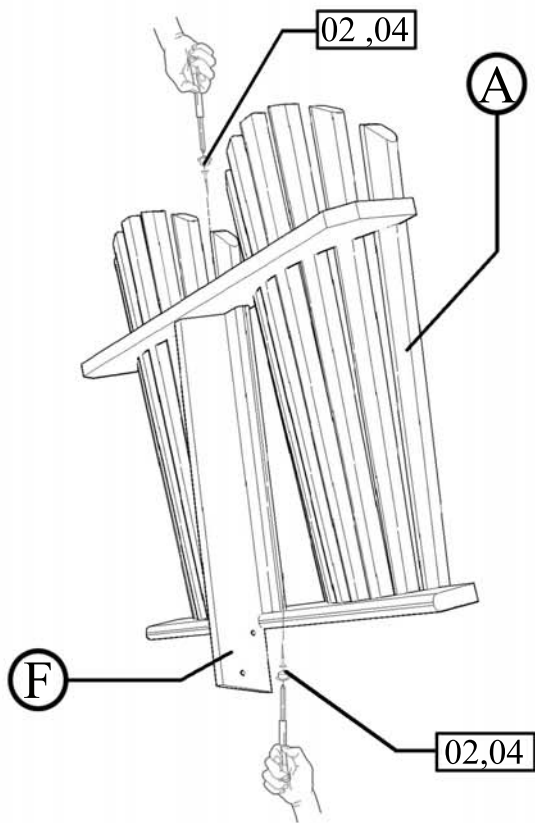


05. FLANGE NUT 5/16 inch : 14 pcs

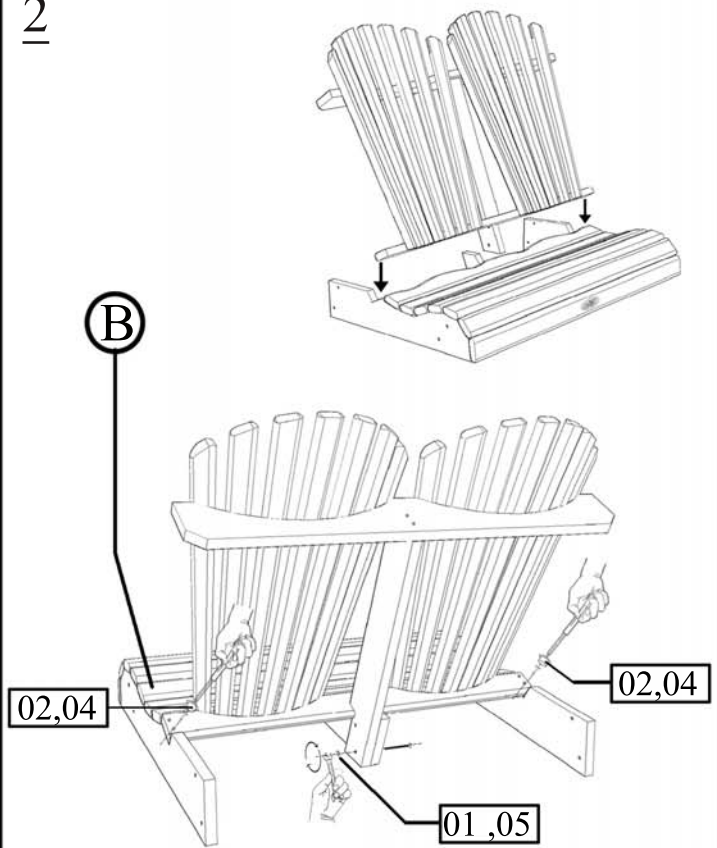
PART OF PRODUCT



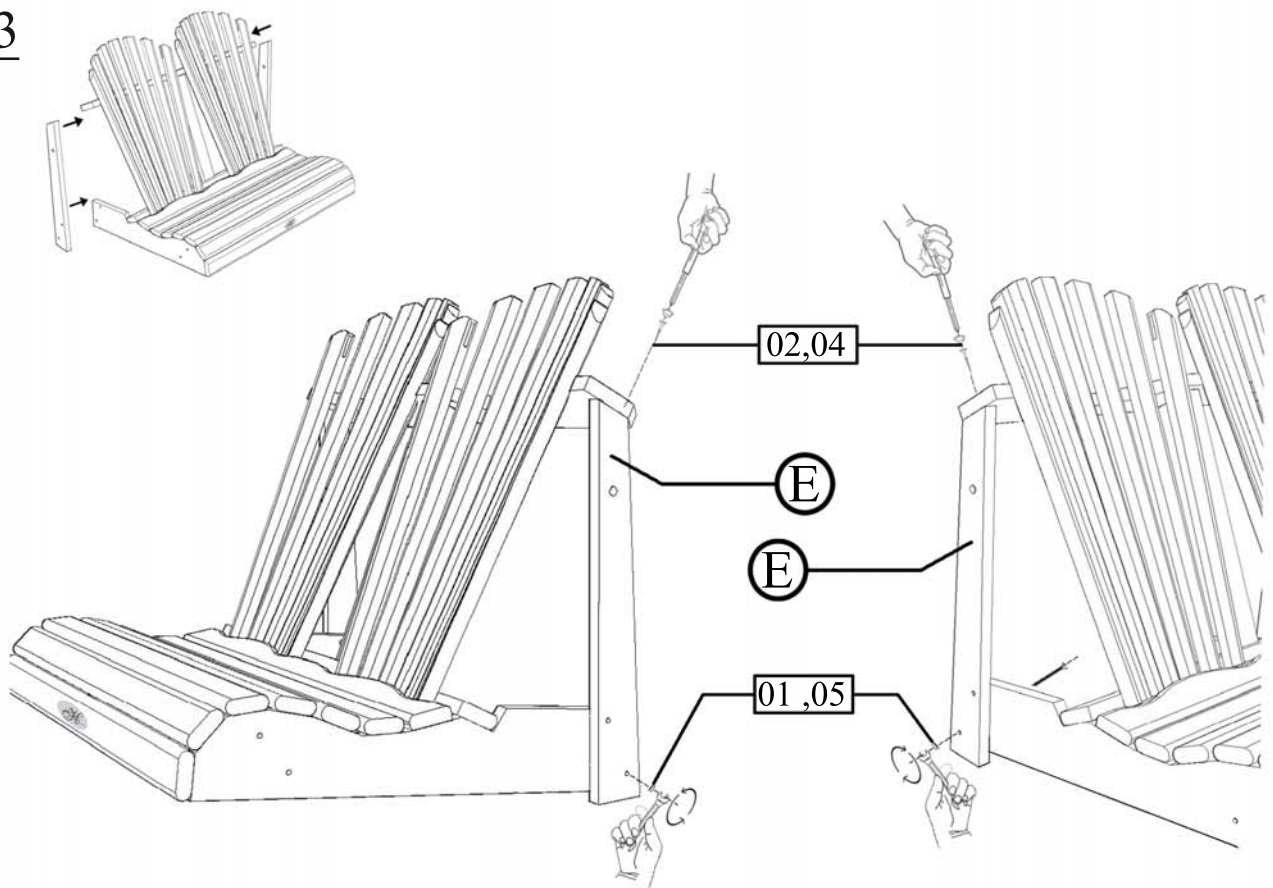
1



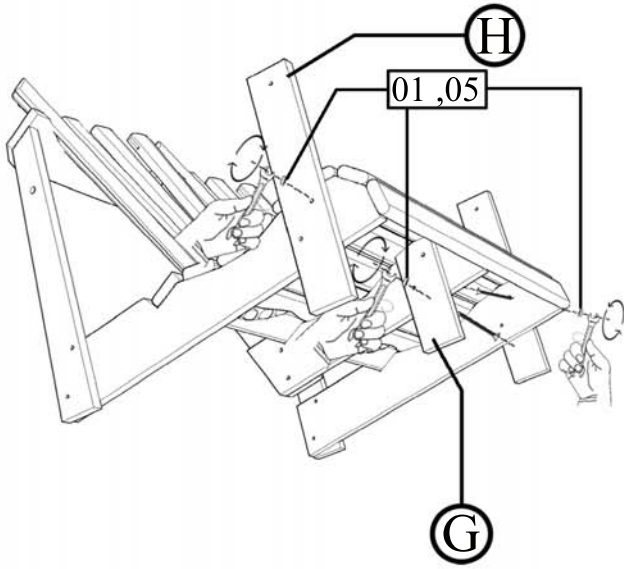
2



3



4



5

