



ASSEMBLY INSTRUCTIONS

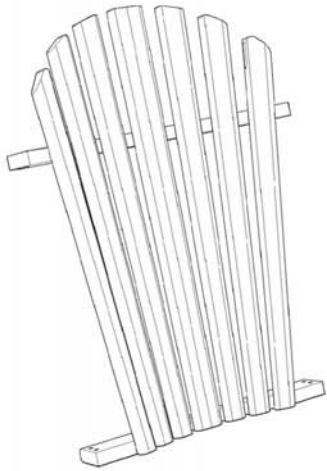
ADIRONDACK CHAIR

(ITEM # 112)

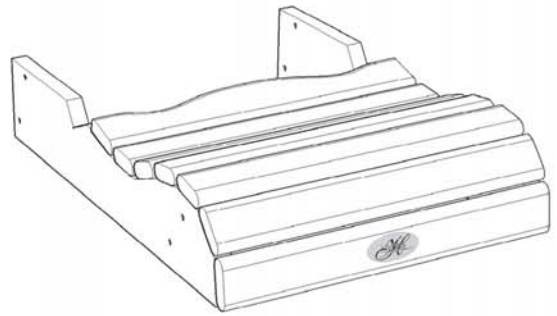
DIMENSION OF PACKAGING

300 x 570 x 840mm

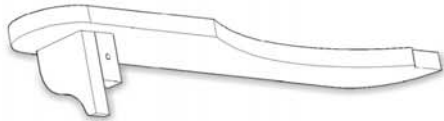
COMPONENT LIST



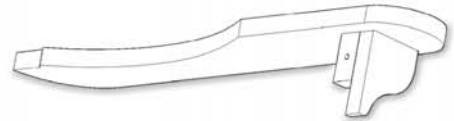
A. BACK SECTION : 1 pcs



B. SEAT SECTION : 1 pcs



C. ARM REST LEFT : 1 pcs



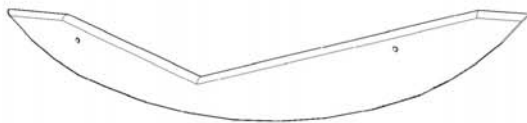
D. ARM REST RIGHT : 1 pcs



E. BACK LEG : 2 pcs

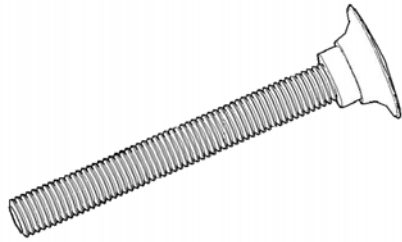


F. FRONT LEG : 2 pcs



G. ROCKER : 2 pcs

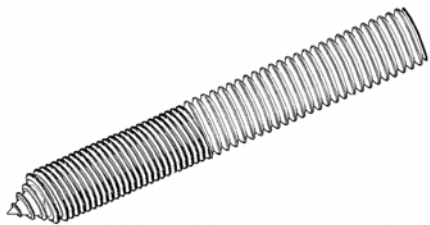
HARDWARE LIST



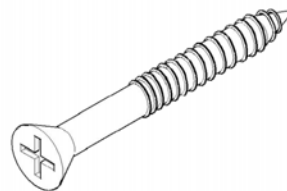
01. BOLT 5/16 x 2.25 inch : 10 pcs



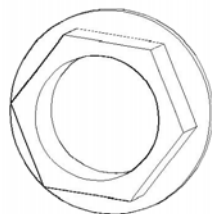
02. SKREW CAP 5/16 inch : 8 pcs



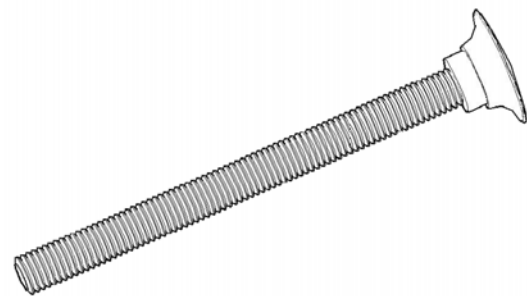
03. BOLT 5/16 x 1.25 inch : 2 pcs



04. SKREW 8M x 1.5 inch : 8 pcs

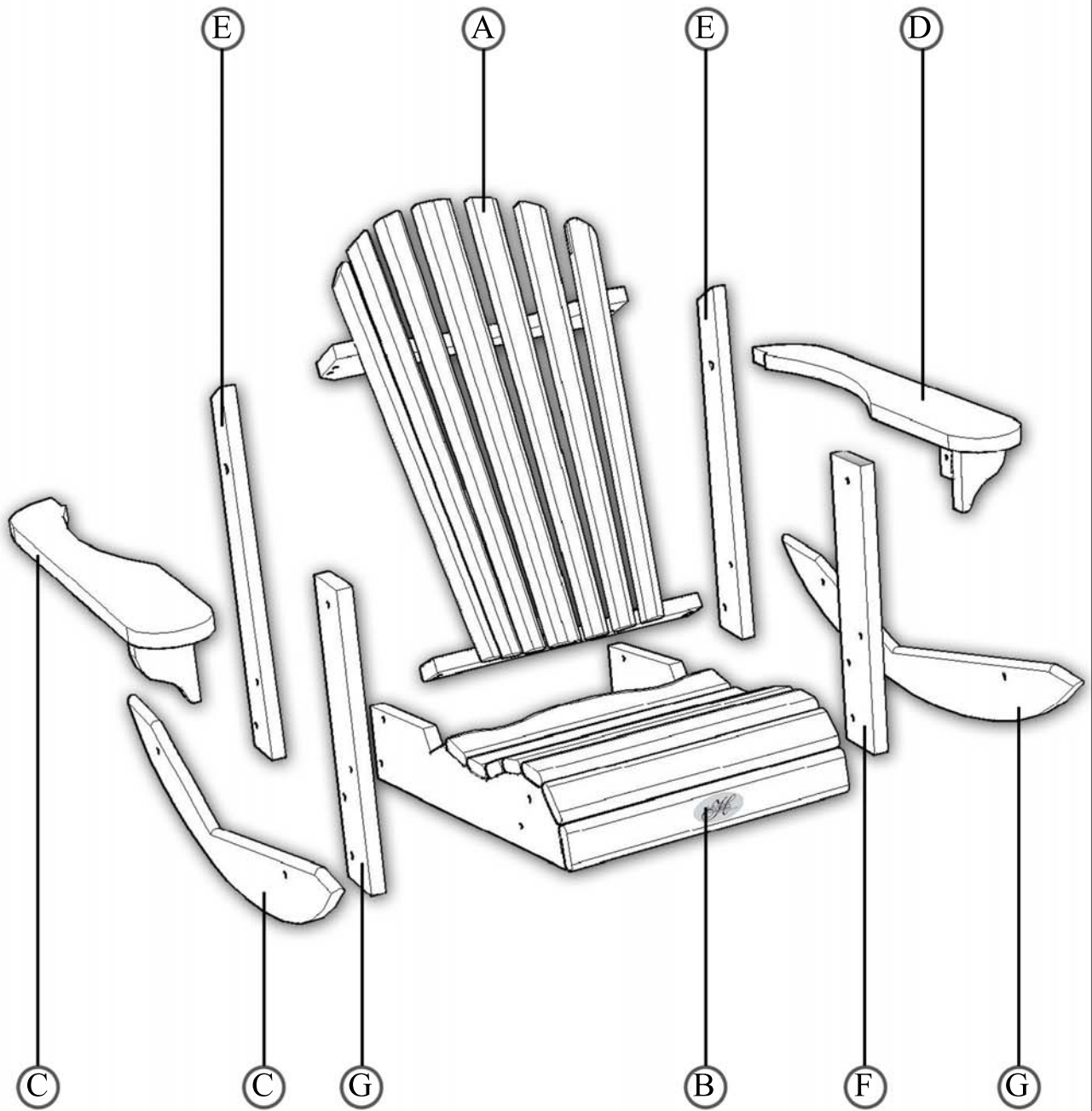


05. FLANGE NUT 5/16 inch : 14 pcs

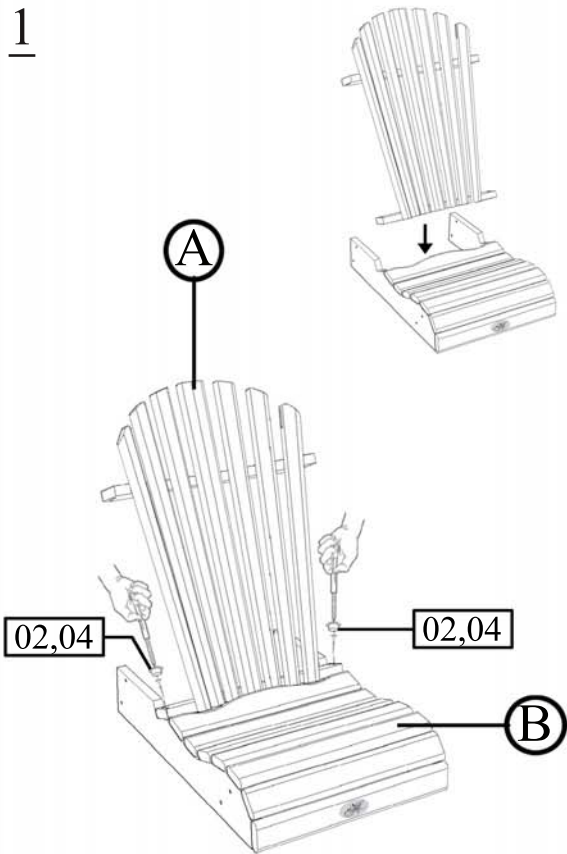


06. BOLT 5/16 x 3.5 inch : 2 pcs

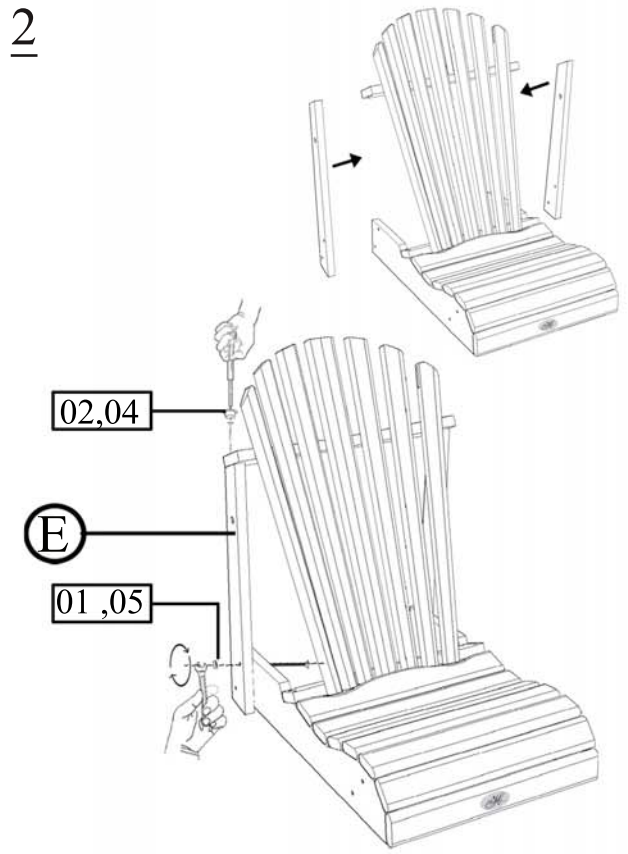
PART OF PRODUCT



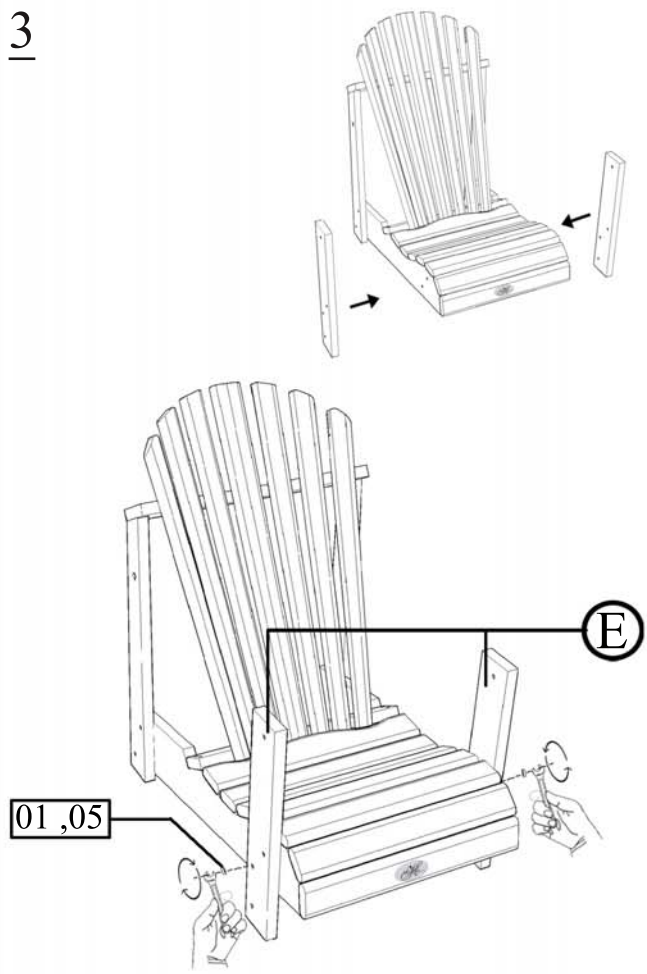
1



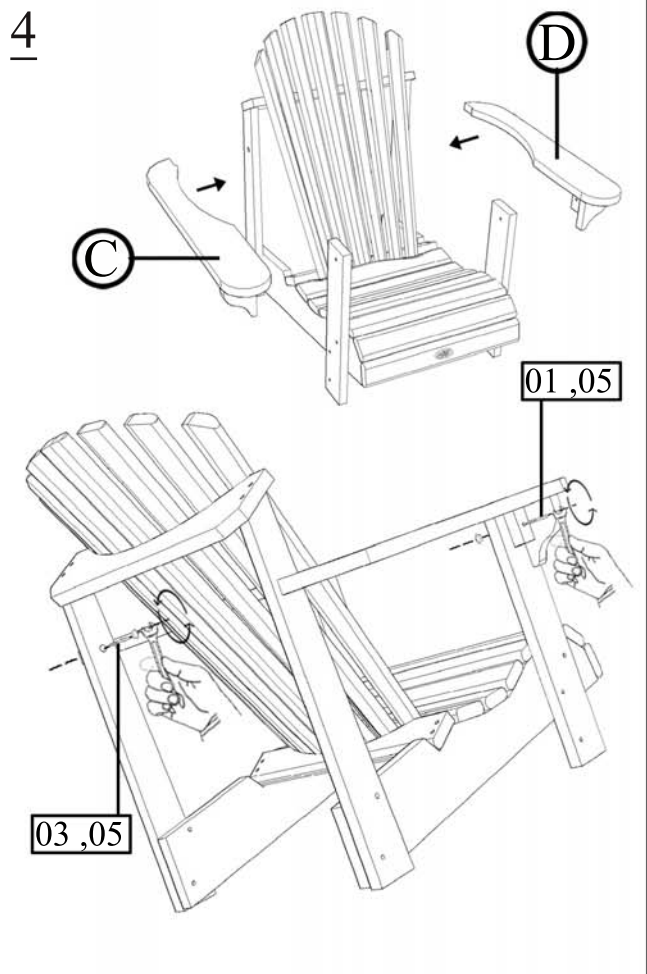
2



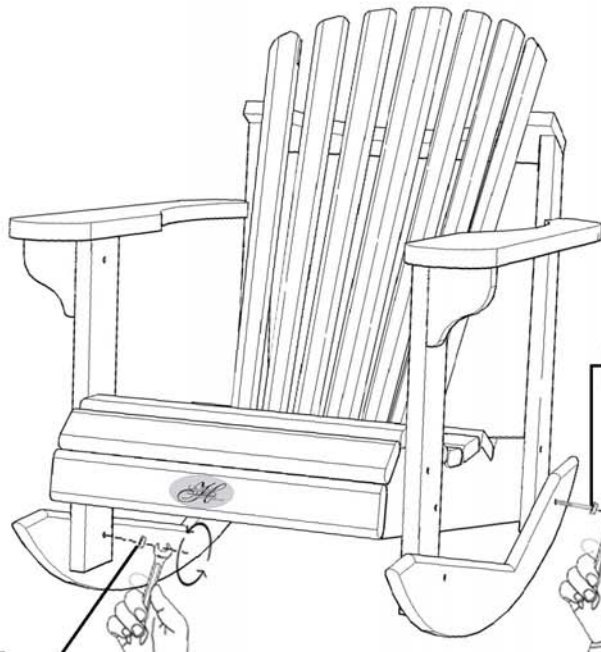
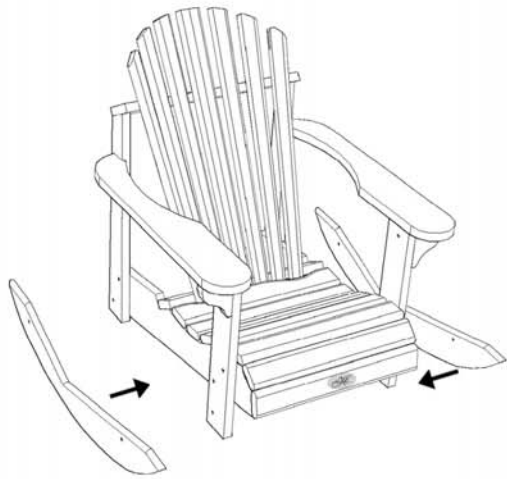
3



4



5



01,05

05,06

